



 Addikiin[®]





An Overview

Addikiin has made a mark in the technological sphere by defining, developing and delivering hi-tech solutions in the domains of :

- IT Infrastructure
- IT Hardware (Desktop & Servers)
- Virtualization
- Information Security
- Networking (Structured Cabling)
- Wireless Communication (WIFI LAN & WAN Set up)
- Systems Supply and ;
- Peripherals.

Our vision is to make a dynamic presence in providing sustainable and safe technical solutions for people everywhere. These powerful service offerings can help your organization to work smartly according to the changing economic and business trends. The solid technological foundation empowers businesses technically, leading to innovation and progression in the real sense.

INFRASTRUCTURE MANAGEMENT



As IT infrastructure forms the back bone of any business enterprise, choosing the right set of infrastructure management services is very crucial in achieving the professional goals timely. At Addikiin, we help you in sufficing your IT requirements in synch with your business objectives to achieve a set target along with 20 -30% decrease in traditional IT costs. Addikiin offers an integrated suite of Infrastructure Management Services in the areas of:

- System Integration
- System Security
- Infrastructure Consulting
- Hosting Services
- Remote Infrastructure Management
- Desktop Management



IT HARDWARE

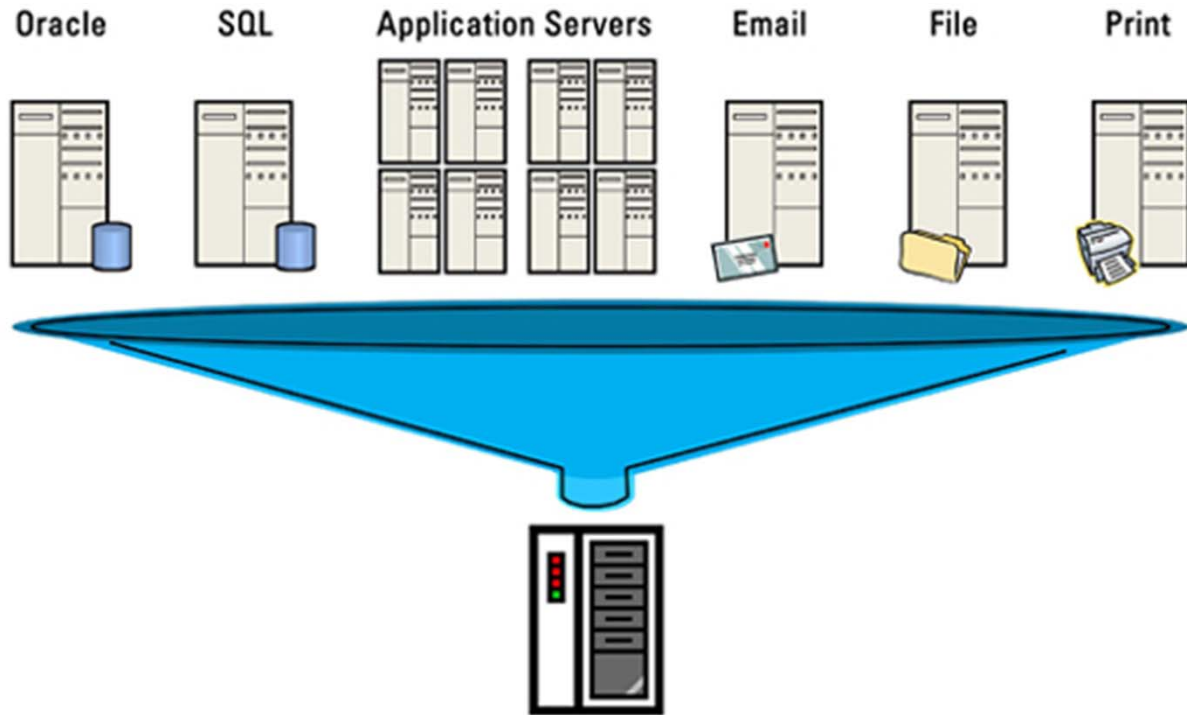


In a typical enterprising environment, the IT requirements essentially consist of hardware and software both. With a range of total IT solutions , Addikiin is also involved in hardware, network and software implementations. Services undertaken are listed below:

- Hardware Sales and Services
- Network Integration
- Peripheral Sales & Services
- System Maintenance & Upgradation
- Software Distribution



VIRTUALIZATION



Virtual machines provide centralized management, accelerate the operational efficiency and enhance the overall systems security. Virtualization has transformed the current scenario of managing the operational resources to a great extent. Multiple benefits can be attained via virtualization:

- Single server independently managing multiple applications and operating systems.
- Work requirements achieved on time as loads of work can be transferred quickly from one virtual space to another.
- Software and hardware resources are used more efficiently which results in accurate resource utilization and enhanced security.



INFORMATION SECURITY

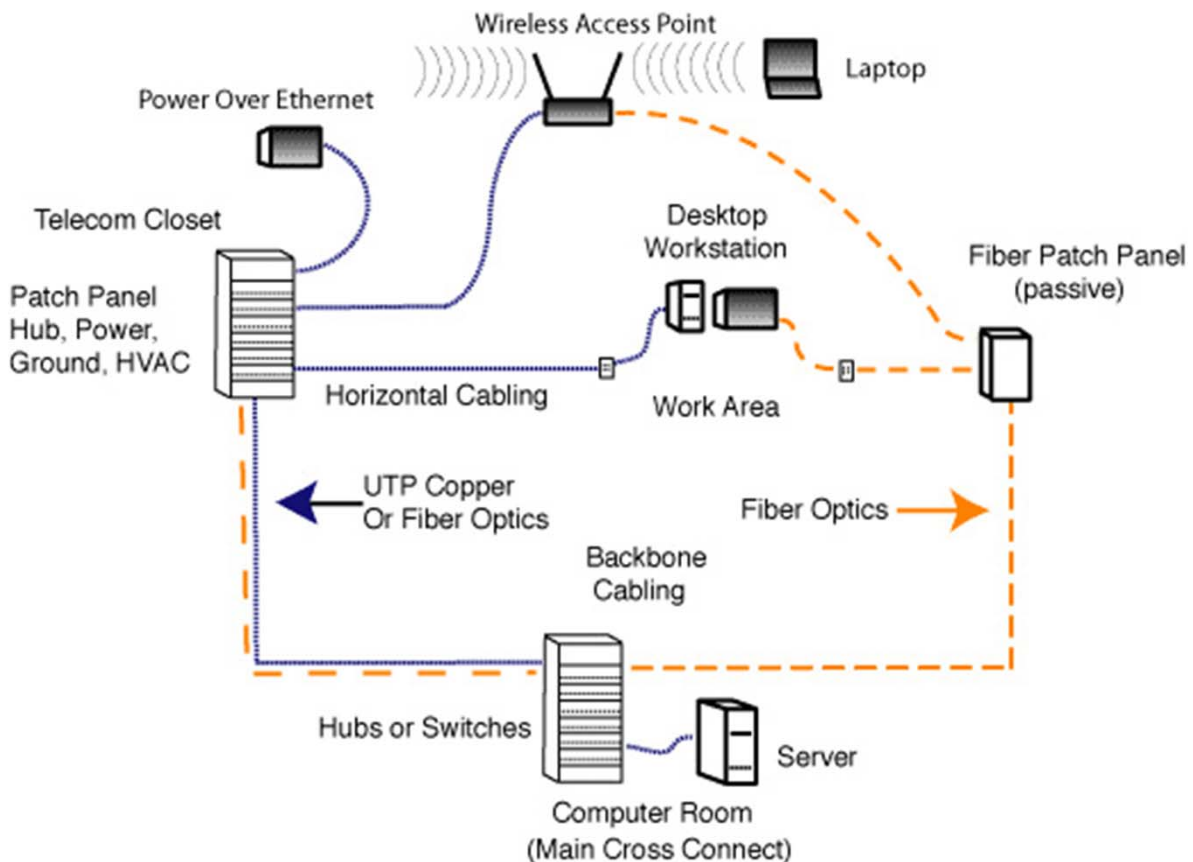


Addikiin's Data Security Services are capable of protecting your critical data from internal and external threats and also offers powered security solutions for the overall systems and network data loss prevention. **'File Security'** solutions are flexible in securing critical files on servers, storage devices and content repositories. To fix any security related issues , we provide:

- Firewalls
- Virtual Private Networks (VPN)
- Intrusion Detection
- Anti Virus



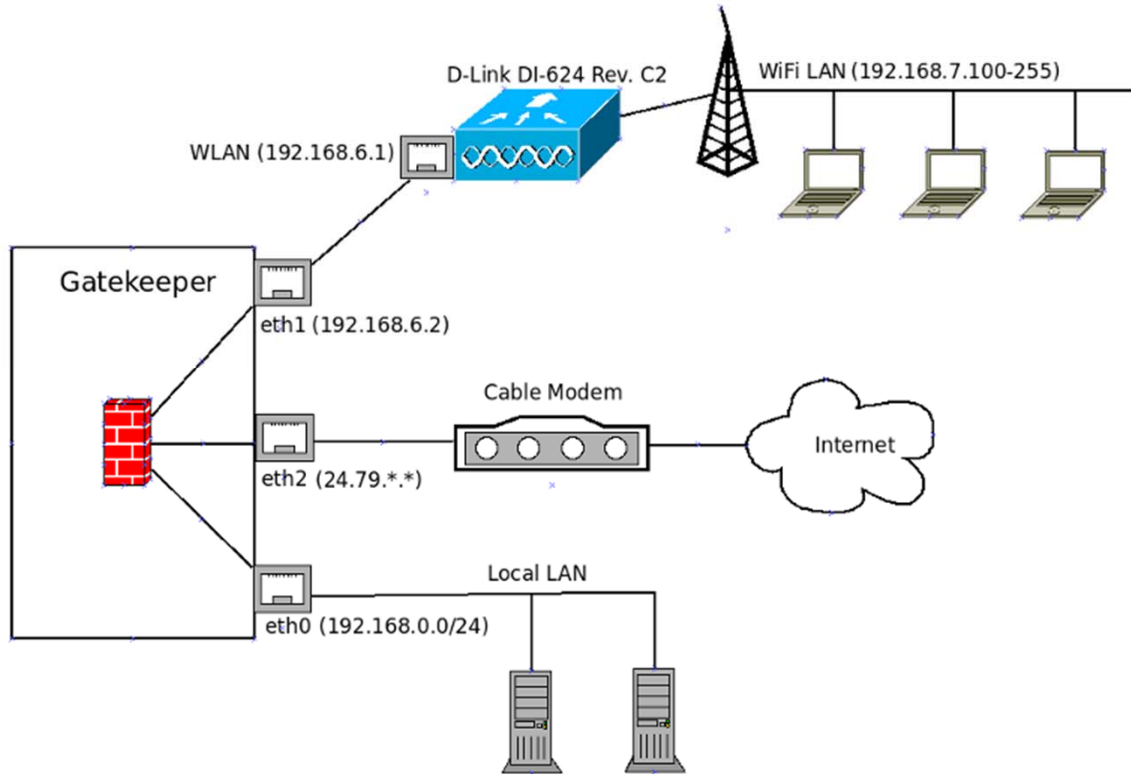
STRUCTURED CABLING SYSTEM



Addikiin offers high quality and no-risk cabling solutions that seamlessly blends amidst the company's IT infrastructure and enables smooth functioning of the systems within. Cabling components such as connectors, wall plates, patch panels and accessories combine together to enhance the value of systems and improve the overall network management. These cabling solutions are easy to install, flexible with variety of applications and enable necessary changes.



WIFI LAN / WAN SET-UP



There are different types of networks available amongst which LAN and WAN are most widely used both domestically and commercially. Our LAN and WAN connect services offers **LEASE LINE & PRIVATE LINE** CONNECTIVITY which is economical, fast and secure means to link together your enterprise, where users can interact with applications in exactly the same way and at exactly the same speed, regardless of their location.

BENEFITS: (Fast, Easy, Economical, Secure, Flexible and Seamless)



ANNUAL MAINTENANCE CONTRACT (AMC)



With an inclination of safe-guarding and retaining the quality of your IT infrastructure, Addikiin has devised an Annual Maintenance Contract (AMC) for comprehensively offering an array of IT services:

- ❑ Installation, implementation, configuration and procurement of branded Desktop, Laptop & Server
- ❑ Securing computer network with Firewall and Antivirus. These security solutions are backed by brands like CISCO, FORTINET, SONICWALL, CYBERROAM, ASG, MCAFFEE, QUICK HEAL and eSCAN.
- ❑ Server and work station operating systems, like permission, print servers & routers.
- ❑ Reliable products of storage and data backup management
- ❑ Entire range of conference room solutions inclusive of LCD, Audio & Video conferencing gadgets
- ❑ Staff Augmentation Services
- ❑ Maintenance of Computers, Peripherals & Break Fix Support

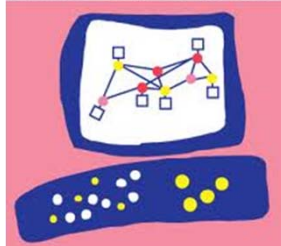
Preventive Maintenance: Preventive maintenance ensures trouble-free working of SMD connectors, CPU, RAM, keyboard, I/O ports, Hard Disk Drive, CPU Speed, cables, sockets and the overall system performance. Preventive maintenance service also encompasses physical cleaning of printer and system interior.

TECHNOLOGY PARTNERS

*In collaboration with the partners, we focus on bringing on-demand solutions
to companies and individuals seeking it.*



Check Point®
SOFTWARE TECHNOLOGIES LTD.



TECHNICAL EXPERTISE

Addikiin's team of professionals offer industry specific technical expertise.

We have highly dedicated, qualified and well experienced engineers possessing renowned certifications as presented below:



redhat.
CERTIFIED
ENGINEER



Contact us



ADDIKIIN TECHNOLOGY PVT LTD

13 / 104, CCI Colony,
Unnat Nagar No 4,
M G Road, Goregaon (West),
Mumbai - 400104, INDIA

Tele : +(91) - 022 - 877 99 00

Business Enquiry: info@addikiin.com

Support Queries: support@addikiin.com

